



Infrapalm

An elegant, portable heating solution

Infrapalm is a stylish and practical freestanding heater for terraces and outdoor restaurants where there are no walls or other mounting possibilities.

Infrapalm has a modern, ergonomic design which makes it easy to position and use.

It includes 2 or 3 infrared heaters providing comfortable heat in several directions.

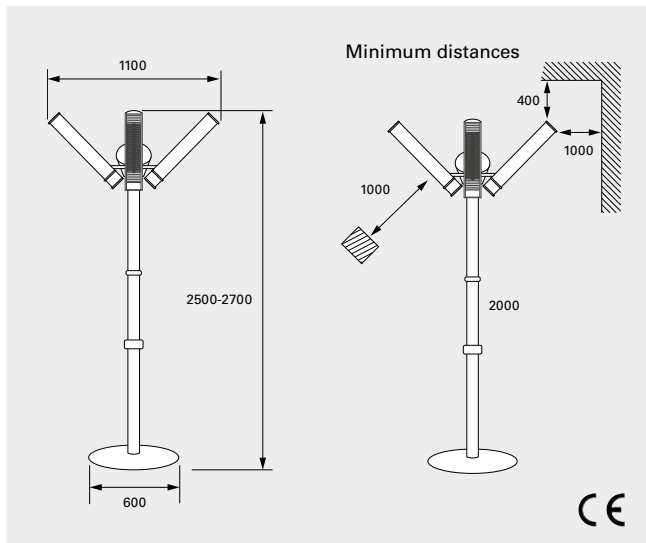
- Equipped with 2 or 3 infrared heaters, with a total heat output of 3000 - 6000 W.
- Halogen lamp with gold infrared tube and polished aluminium reflector.
- Equipped with a tip guard which switches off the heaters if the post should fall.
- High protection class, IP67.
- Table available as an accessory.
- Casing in powder-coated aluminium. Colours: white RAL9010 or black RAL9005.



Infrapalm (IP67)

Type	Heat output [W]	Voltage [V]	Colour	Max. filament temperature [°C]	Dimensions WxH [mm]	Weight [kg]
IHPA30W	3000 (2x1500)	400V3N~	White	1800	1100x2500-2700	45
IHPA30B	3000 (2x1500)	400V3N~	Black	1800	1100x2500-2700	45
IHPA40W	4000 (2x2000)	400V3N~	White	1800	1100x2500-2700	45
IHPA40B	4000 (2x2000)	400V3N~	Black	1800	1100x2500-2700	45
IHPA60W	6000 (3x2000)	400V3N~	White	1800	1100x2500-2700	45
IHPA60B	6000 (3x2000)	400V3N~	Black	1800	1100x2500-2700	45

Dimensions



Mounting and connection

Mounting

Infrapalm is a standalone heater which is used when there are no walls or other suspension options. As it is portable, Infrapalm can be placed directly on the floor in areas which need to be heated. Several heaters are required for larger areas. Optimum comfort is achieved if the heat is distributed from at least two directions.

Connection

When installing, connect an extension cord of suitable length to the appliance.



Accessories

IHMC6, central controller with keypad

Central controller which controls 3 x 2 kW. The keypad can control a maximum of 54 kW in total in nine zones or a minimum 3 x 2 kW in 3 zones, in nine steps. 6000W, 400V3~, IP65.

IHMC6S, central controller (slave)

Slave unit without keypad. Central controller which controls 3 x 2 kW. 6000W, 400V3~, IP65.

IHPAT, table

Table for Infrapalm. Made of pressed wood and melamine. Colour: black. Dimensions: 600x600x30 mm.

Type	Description	HxWxD [mm]
IHMC6	Central controller with keypad, 6000 W, 400V3~, IP650	170x280x87
IHMC6S	Central controller (slave), 6000 W, 400V3~, IP65	170x280x87
IHPAT	Table for Infrapalm	30x600x600

